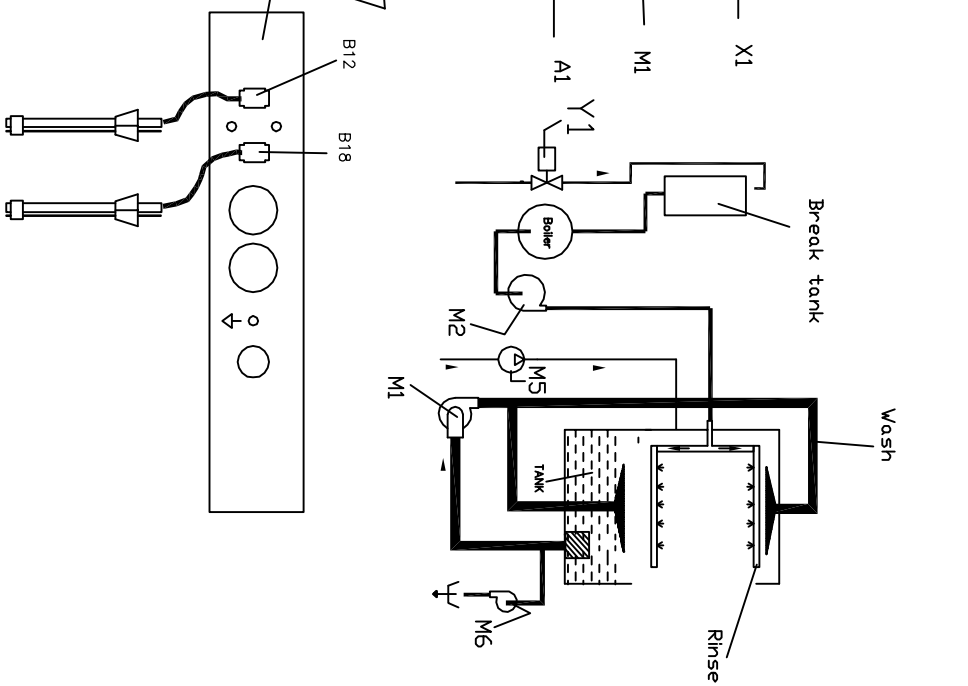
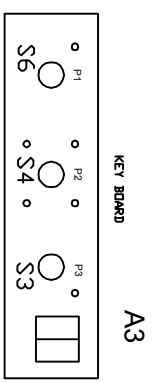
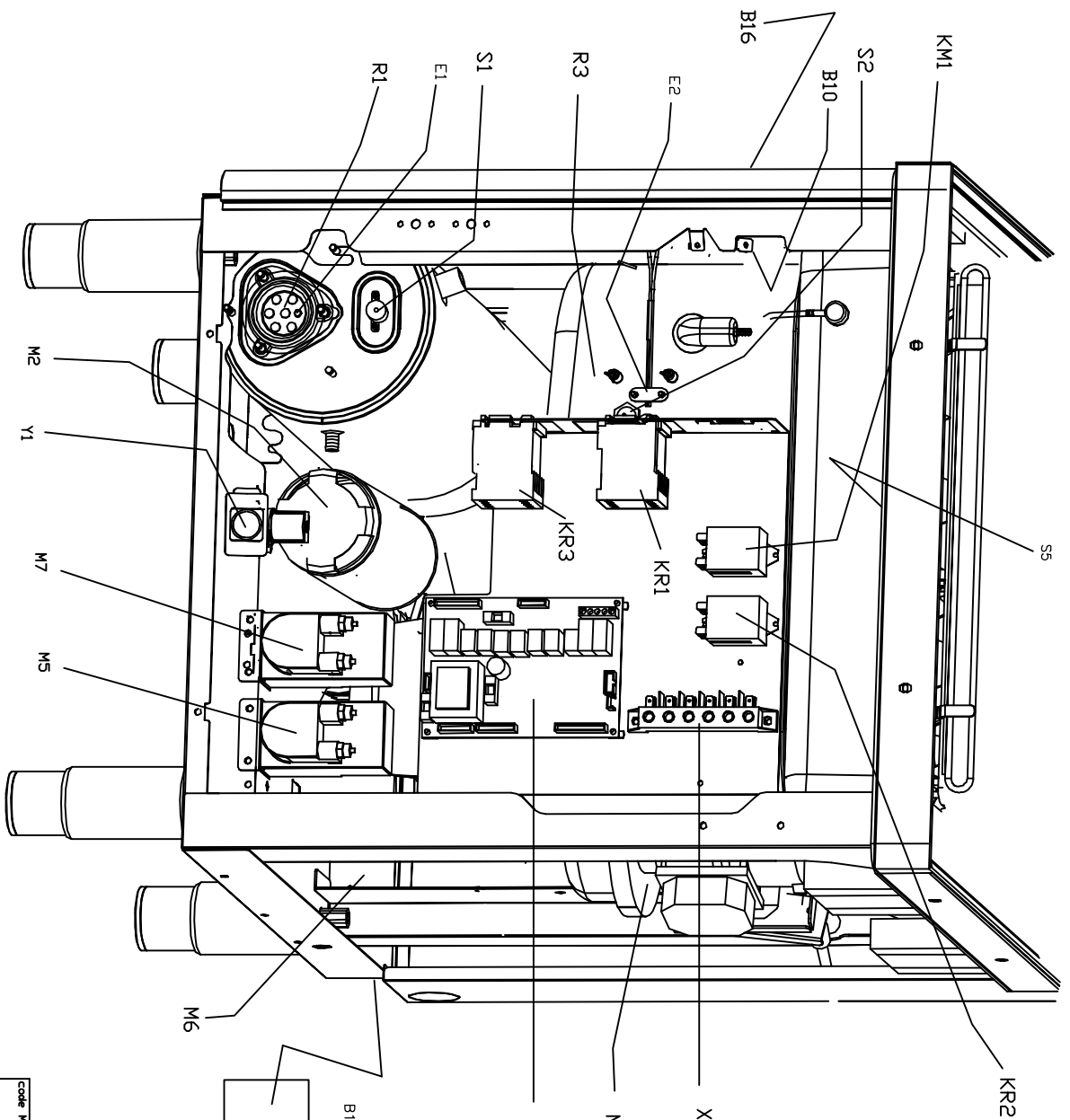


01 02 03 04 05 06 07 08 09 10 11 12 13 14 15 16 17 18



DESCRIZIONE

SOSTITUISCIE

DATA

Code Machine		denomination		Codice	
re-examined	date/date	WIRING DIAGRAM		81466L	
inspected by	date/date	Diswashers		n°/file	
validated by	date/date	total digt	n° digt	Next digt	mod
		3	2	-3	
				81509	

